



Parabolic antenna JRMB - 900 -10/11

Antenna JRMB – 900 – 10/11 is designed for microwave links at the frequency bands 10 and 11 GHz. It has a deep reflector dish and a massive bracket which allows precise adjustment in both directions. Whole antenna system with bracket JDMW-900 has an extreme wind stability.

Electrical parameters:

Frequency range	10.1 – 11.7 GHz
Gain – Low band	37.0 ± 0.5 dBi
Gain – High band	37.5 ± 0.5 dBi
Side lobe level	≤ 15 dB
Front to back ratio	≥ 47 dB
Beamwidth_{-3 dB}	2.3°
Electrical Compliance	US FCC Part 101A 10.0 – 10.7 GHz US FCC Part 101B 10.7 – 11.7 GHz
Polarization	Vertical / Horizontal
Return loss (VSWR)	≥ 18 dB (≤ 1,3)

Mechanical parameters:

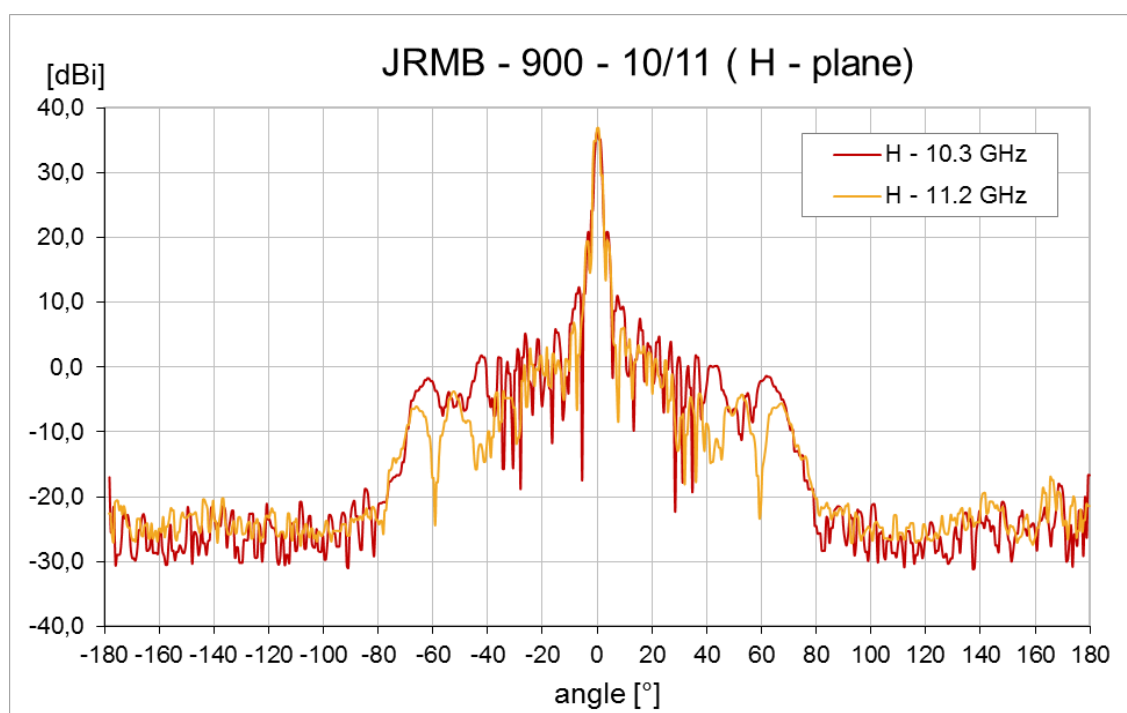
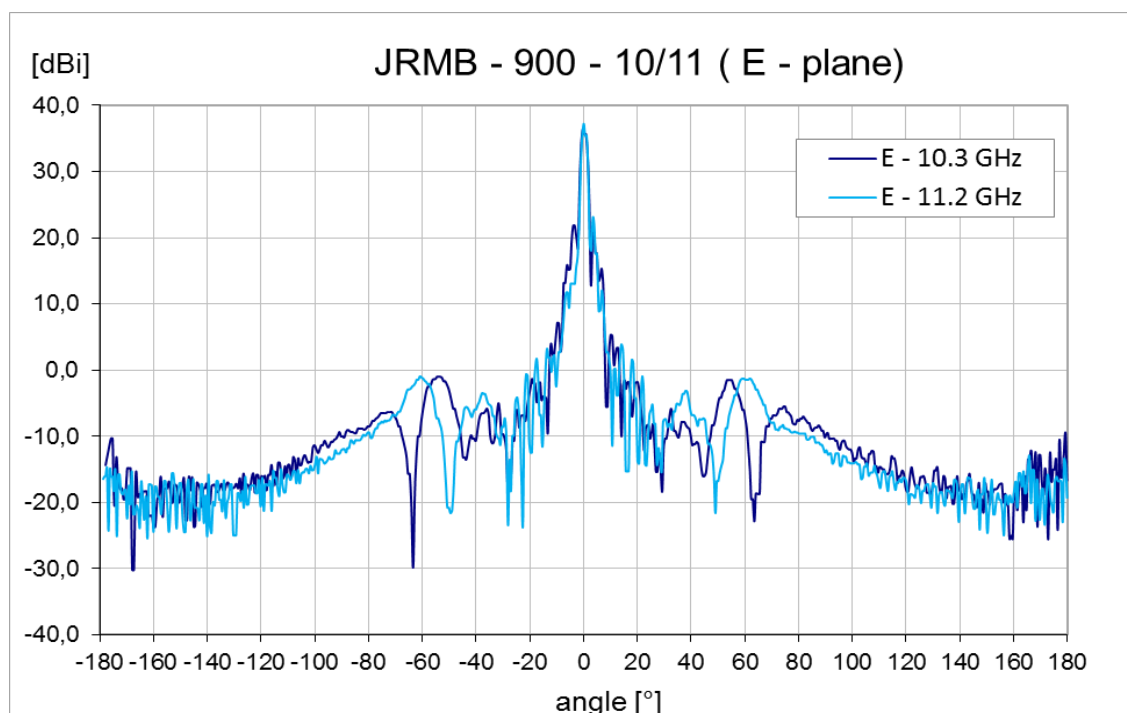
Parabola	Aluminium alloy
Size	Ø 900 mm
Depth	331 mm
Cover	UV steady plastic ABS
Input / output	Circle waveguide 19 mm
Installation on mast	Ø 40 - 120 mm
Operating wind load	140 km/h
Survival wind load	210 km/h
Weight of antenna	11.9 kg (26.23 lbs.)
of bracket	4.3 kg (9.48 lbs.)
Shipping dimensions	1000 mm x 1000 mm x 490 mm

The antenna is supplied together with a bracket that allows easy mounting on a mast. Bracket can be installed separately on the mast. Subsequently, you can simply hang up the antenna with microwave

Parabolic antenna JRMB - 900 - 10/11

unit into it. We recommend mounting on the mast with minimum \varnothing 70 mm in the areas with the occurrence of the strong winds. The bracket allows fine setting elevation (of gradient) and azimuth \pm 20°. Mounting to the right and left side is possible.

Measurements of radiation pattern:



Parabolic antenna JRMB - 900 -10/11

Outline:

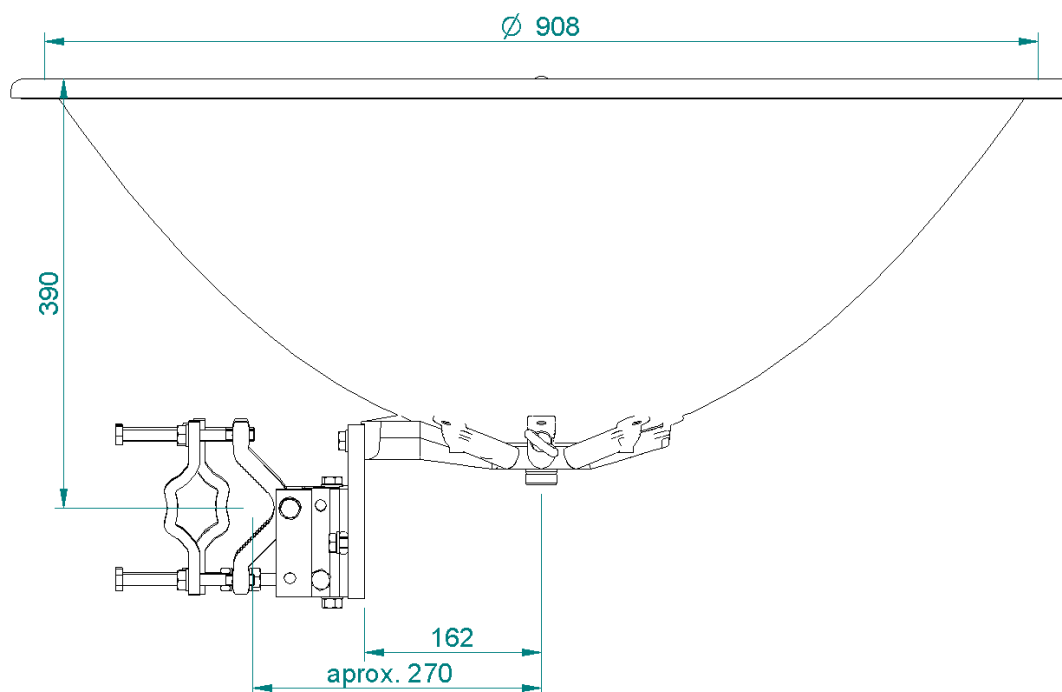


Fig. 1 Antenna dimensions

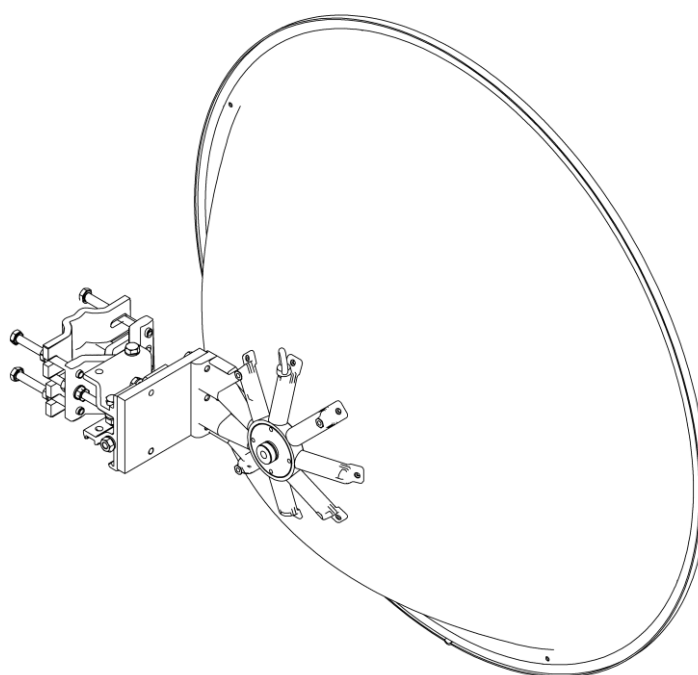


Fig. 2 Antenna with massive holder (back side)