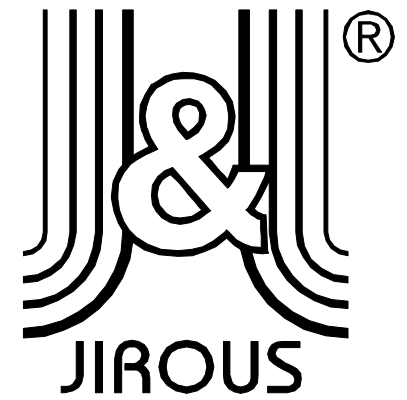


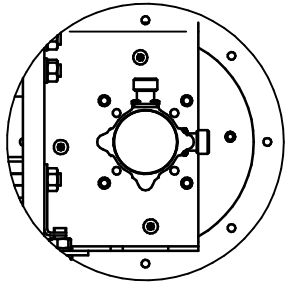
JRC-29DD MIMO

Kmitočtové pásmo	4.9 - 6.4 GHz	Frequency range
Zisk	29 dBi	Gain
PSV _{5.1-5.9 GHz}	max 1.4	VSWR _{5.1-5.9 GHz}

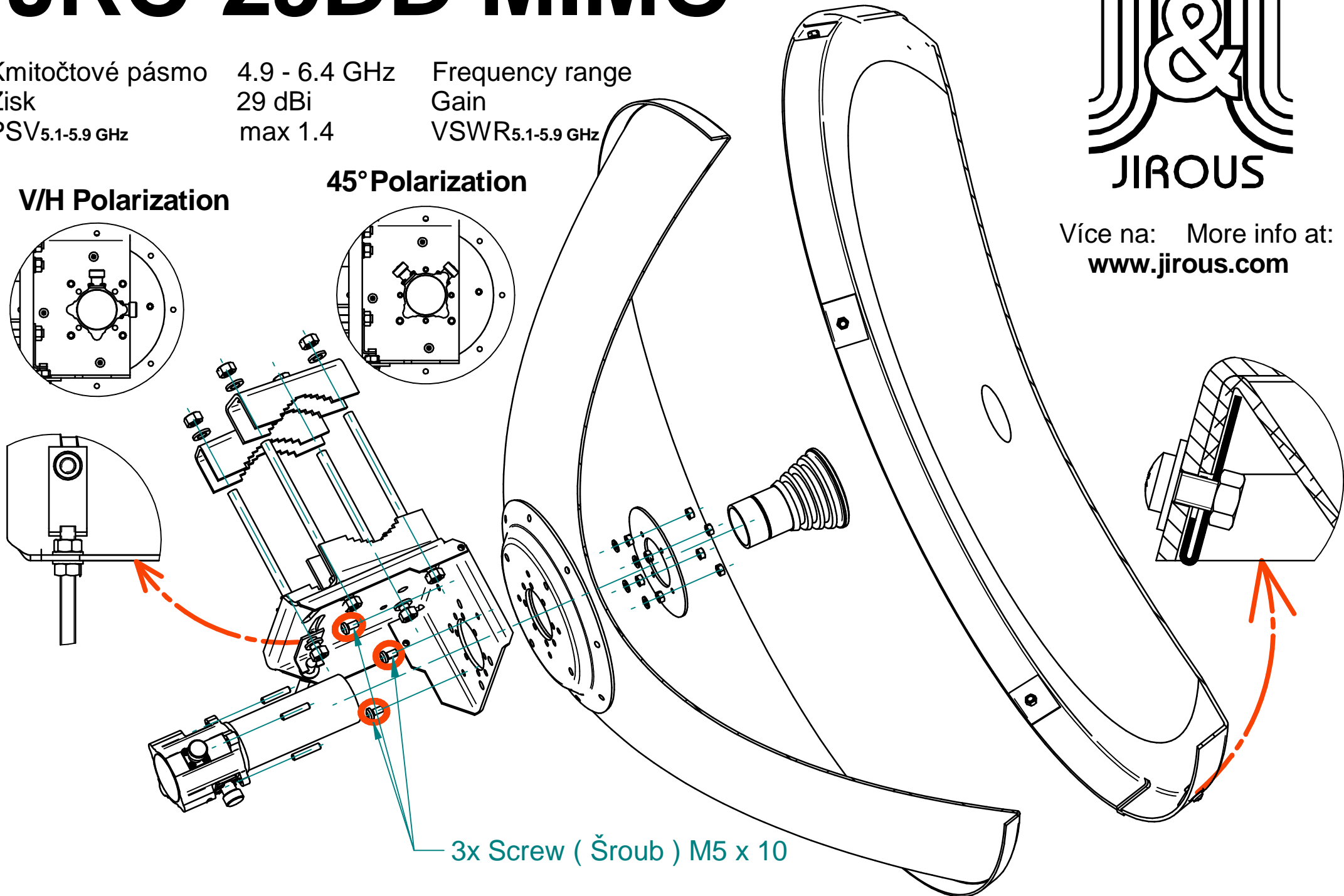
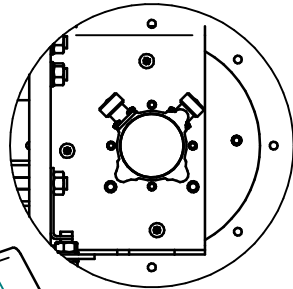


Více na: More info at:
www.jirous.com

V/H Polarization



45° Polarization



3x Screw (Šroub) M5 x 10