



Parabolic antenna JRC-35 DupLEX Precision

Dual-polarized parabolic antenna **JRC-35 DupLEX Precision** is designed for directional links at the frequency band 5 GHz. It has deep reflector dish and massive bracket which allows precise adjustment in both directions. Whole antenna system with bracket has extreme wind stability. Patented technical solution ensures unique very high mutual isolation between polarizations. This makes it possible to use an antenna in the modes N stream Dual or MIMO.

Electrical parameters:

Frequency range	5.45 – 5.85 GHz
Gain	34.0 ± 0.6 dBi
Beamwidth_{-3 dB}	3.1°
VSWR	≤ 1.5
Isolation between ports	50 dB (≥ 45 dB)
Front to Back ration	≥ 53 dB
Polarization	Vertical / Horizontal

Mechanical parameters:

Parabola	∅ 1200 mm, Aluminium alloy
Cover	UV steady plastic ABS
Type of connector	N-female, R-SMA
Installation for mast	∅ 80 - 120 mm ∅ 60 - 80 mm – with adjustable wind bracing set
Operating wind load	
- without wind bracing	110 km/h (68 mph)
- with wind bracing	140 km/h (87 mph)
Survival wind load	210 km/h (130 mph)
Weight of antenna	16.7 kg (36.85 lbs.)
of antenna bracket	14.9 kg (32.85 lbs.)
Shipping dimensions – 1 pcs	1300 mm x 800 mm x 1430 mm
Shipping dimensions – 2 pcs	1300 mm x 1100 mm x 1430 mm

Parabolic antenna JRC-35 DupLEX Precision

The antenna is supplied together with a massive bracket that allows easy mounting on a mast. Bracket can be installed separately and subsequently can be simply hang up the antenna into it. Antenna bracket allows fine setting elevation $\pm 15^\circ$ and azimuth $\pm 7^\circ$. It is possible mounting to right and left side. We recommend wind bracing set (optional accessories, Fig. 3) for mounting to the adverse weather conditions. **It is necessary to use an adjustable wind bracing kit** (optional accessories, Fig. 4) for mounting on the mast with **diameter 60 to 80 mm**.

Outline:

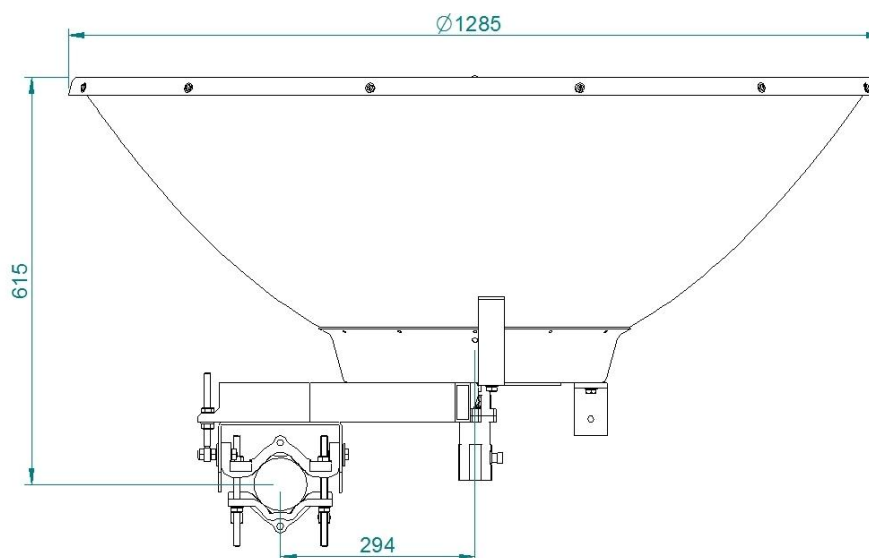


Fig. 1 Antenna dimensions

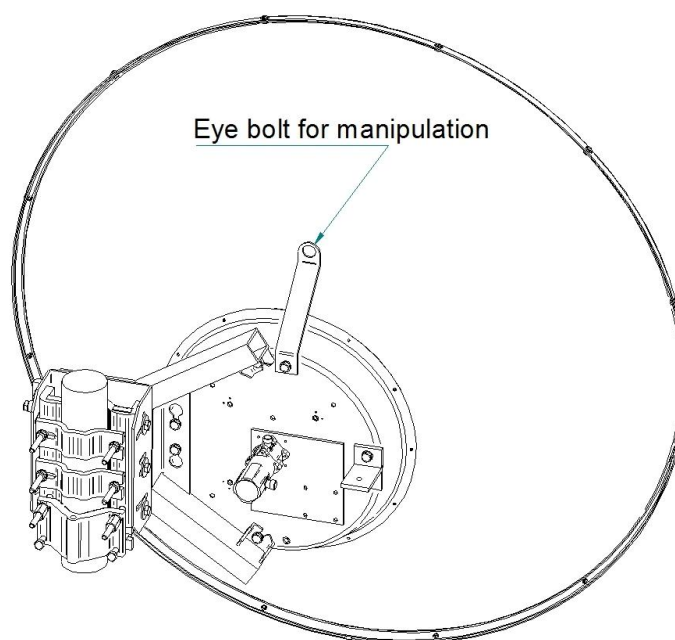


Fig. 2 Antenna with massive bracket (left side)

Parabolic antenna JRC-35 DupLEX Precision

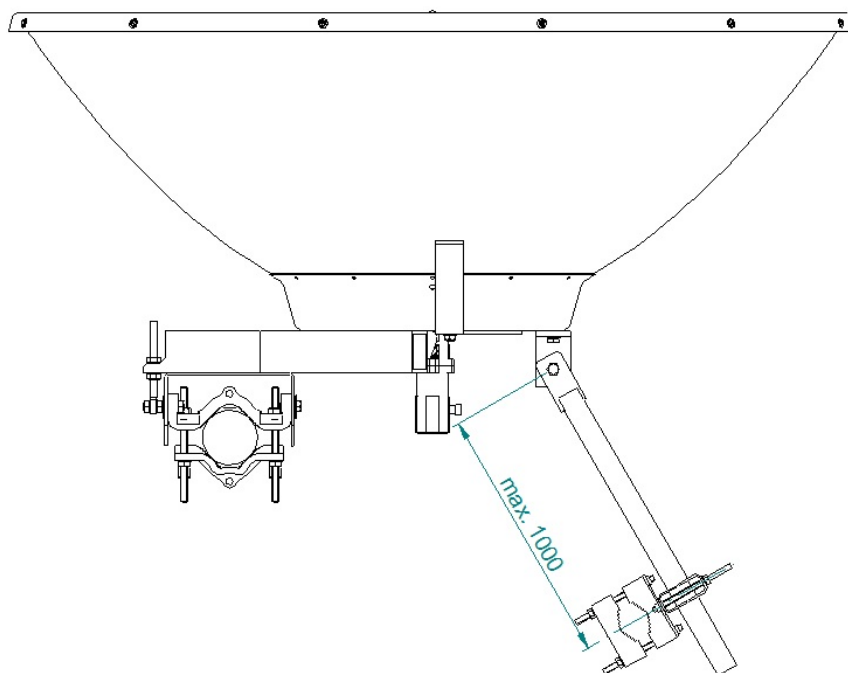


Fig. 3 Antenna with wind bracing kit (top view)

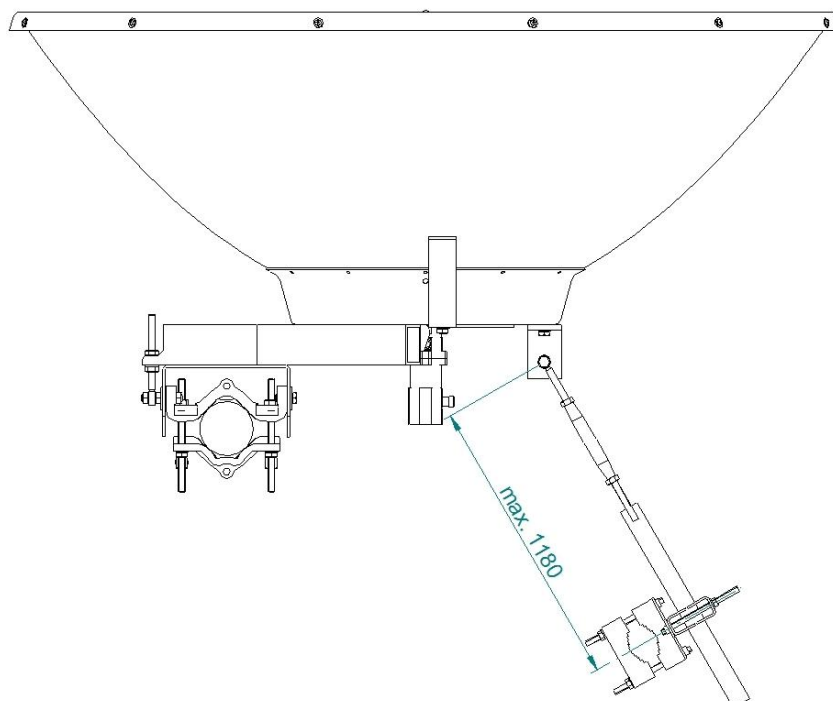


Fig. 4 Antenna with adjustable wind bracing kit (top view)